



VC-600 and VC-610 Series Fixed-Position Camera Domes

- Color camera
- Models available with super-high-resolution (550 TVL) and high-resolution (480 TVL)
- Model available with Wide Dynamic Range
- 3.3 – 12 mm varifocal autoiris lens
- Adjustable camera position
- 12 VDC or 24 VAC operation
- In-ceiling or surface-mount installation
- Cost-effective design

The VC-600/VC-610 Series of Fixed-Position Camera Domes offers a compact domed housing incorporating a fixed camera and lens combination. They are configured for in-ceiling or surface-mount installation. The domes include a high-resolution or super-high-resolution color camera with an isolated power input and a varifocal autoiris lens. A clear lower dome is included. A model is available that offers wide dynamic range for the best contrast for high-quality images. Models are available in NTSC and PAL formats. Refer to Table 1 for complete model descriptions.

The camera position is adjustable, allowing for adjustment of pan (360°), tilt (60° from vertical) and rotation about its axis (roll/azimuth), for any angle of view required. The lens zoom and focus can be easily adjusted. The camera accepts 12 VDC/24 VAC input; BLC, AGC, and Iris settings are DIP switch selectable.

The VC-600/VC-610 Series of Fixed-Position Camera Dome meets FCC requirements for a Class A device.

ASSOCIATED EQUIPMENT AND ACCESSORIES
VC-600-PLATE Adapter Plate, Product Code 8785-30:
 Allows mounting the VC-600/VC-610 to a 4x4 electrical box.

Model	Product Code	Description
VC-600/VC-600C	8785-04/8785-03	Indoor; 1/3-in. color camera and 3.3-12 mm autoiris varifocal lens; 550 TVL resolution, 12 VDC/24 VAC; isolated power input; 3-inch clear lower dome; NTSC/PAL.
VC-610/VC-610C	8785-14/8785-13	Indoor; 1/3-in. color camera and 3.3-12 mm autoiris varifocal lens; 480 TVL resolution, wide dynamic range, 12 VDC/24 VAC; isolated power input; 3-inch clear lower dome; NTSC/PAL.
Power Supplies		
VC24PS-1/ VC24PS-1-230	4297/4297-01	Single-channel, indoor, 120/230 VAC input, 24 VAC output, 10 W output
V248-3.5PS	7668	Eight-channel, indoor, 120 VAC input, 24 VAC output, 0.4 A/channel, (3.5 A total)
V2416-8PS	7669	Sixteen-channel, indoor, 120 VAC input, 24 VAC output, 0.5 A/channel (8 A total)
V2448-175PS	6410-20	Four-channel, indoor, 120 VAC input, 24/28 VAC output (jumper selectable), 7/6.25 amps (total)

Caution: Note that on multi-channel units, the amperage stated is the total for all channels. To assure sufficient current to individual cameras, connect only the number of cameras that use less than the maximum supply current.

Table 1: Models, Product Codes and Descriptions

Technical Information

ELECTRICAL

Input Voltage: 12 VDC (11-20 VDC) or 24 VAC (20-27 VAC) isolated.

Current: **VC-600:**
209 mA nominal @ 12 VDC;
84 mA nominal @ 24 VAC.
VC-610:
250 mA nominal @ 12 VDC;
105 mA nominal @ 24 VAC.

Power Consumption: **VC-600:**
2.5 W nominal @ 12VDC;
2 W nominal @ 24 VAC.
VC-610:
3 W nominal @ 12VDC;
2.5 W nominal @ 24 VAC.

Heat Equivalent: **VC-600:**
0.14 btu/min
(0.036 kg-cal/min) @ 12 VDC;
0.11 btu/min
(0.029 kg-cal/min) @ 24 VAC.
VC-610:
0.17 btu/min
(0.043 kg-cal/min) @ 12 VDC
0.14 btu/min
(0.036 kg-cal/min) @ 24 VAC
Note: These figures represent the conversion of 100% of the electrical energy to heat. Actual percentage of the heat generated will be less and will vary from product to product. These figures are provided as an aid in determining the extent of cooling required for an installation.

Connectors: Power: power leads.
Video: BNC on pendant cable

Radio Frequency Emission Rating: FCC Class A.

VIDEO

Video Output: 1.0 V p-p/75 ohm composite.

Scanning System: NTSC: 525 lines, 60 fields/sec.
PAL: 625 lines, 50 fields/sec.

Camera/Lens Specifications: Refer to Table 2.

Maximum Power Distances (@24 VAC):

Wire Size (AWG) Annealed Copper Wire	Maximum Distance ft (m)	
	VC-600	VC-610
20	2400 (731)	1900 (579)
18	3750 (1143)	2970 (905)
16	6000 (1829)	4750 (1448)
14	9600 (2926)	7600 (2316)
12	15,000 (4572)	11,880 (3621)

OPERATIONAL

Tilt and Horizontal Adjustment: Pan, 360°; tilt, 60°from vertical and rotation about its axis (roll/azimuth).

Lens Adjustment: Focus: focus lever screw.
Zoom: zoom lever screw.

MECHANICAL

Application: Indoor.

Mounting: In-ceiling or surface mount.

Dimensions: Height (H): 4.1 in. (104 mm).
Diameter (D): 4.5 in. (114.4 mm).
Dome Diam: 4.0 in. (100.5 mm).

Weight: 0.7 lb (0.3 kg).

Construction: Plastic.

Finish: Light gray.
Dome: clear; black mask.

Shipping Dimensions: Height: 4.75 in. (121 mm).
Width: 6.0 in. (152 mm).
Depth: 5.75 in. (146 mm).

Shipping Weight: 1.2 lb (0.5 kg).

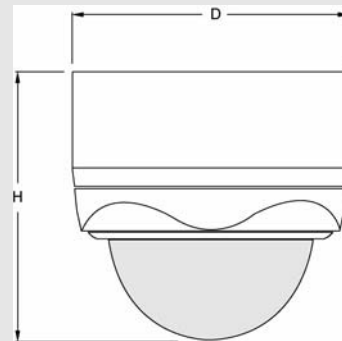
Shipping Volume: 0.095 ft³ (0.003 m³).

ENVIRONMENTAL

Operating Temperature Range: +14 to 131° F
(-10 to 55° C).

Operating Humidity Range: Up to 90% relative, noncondensing.

Storage Temperature Range: -4 to 158° F (-20 to 70° C) maximum.



Technical Information (cont'd)

Model	VC-600	VC-600C	VC-610	VC-610C
Camera				
Image Device	1/3-inch CCD 2:1 interface, NTSC	1/3-inch CCD 2:1 interface, PAL	1/3-inch double scan CCD 2:1 interface, NTSC	1/3-inch double scan CCD 2:1 interface, PAL
Color/Monochrome	Color	Color	Color	Color
Resolution (TV lines)	550	550	480	480
Sensitivity fc (lux)	0.03 (0.3) scene with f/1.2 lens	0.03 (0.3) scene with f/1.2 lens	0.06 (0.6) at 30 IRE, f/1.2, AGC ON	0.06 (0.6) at 30 IRE, f/1.2, AGC ON
Synchronization	Internal/Line Lock	Internal/Line Lock	Internal/Line Lock	Internal/Line Lock
Electronic Iris (sec)	NTSC: 1/60-1/100,000	PAL: 1/50-1/100,000	NTSC: 1/60-1/100,000	PAL: 1/50-1/100,000
BLC	ON/OFF DIP switch selectable	ON/OFF DIP switch selectable	WDR	WDR
AGC	ON/OFF DIP switch selectable	ON/OFF DIP switch selectable	ON/OFF DIP switch selectable	ON/OFF DIP switch selectable
Wide Dynamic Range	N/A	N/A	ON/OFF DIP switch selectable	ON/OFF DIP switch selectable
White Balance	ATW/AWB DIP switch selectable	ATW/AWB DIP switch selectable	ATW/AWB DIP switch selectable	ATW/AWB DIP switch selectable
Signal-to-Noise Ratio	>48 dB (AGC off)	>48 dB (AGC off)	>45 dB (AGC off)	>45 dB (AGC off)
Lens				
Focal Length (mm)	3.3-12 varifocal with autoiris	3.3-12 varifocal with autoiris	3.3-12 varifocal with autoiris	3.3-12 varifocal with autoiris
Angle of View	Horiz: 83.9° - 23.91° Vert: 61.9° - 17.93°	Horiz: 83.9° - 23.91° Vert: 61.9° - 17.93°	Horiz: 83.9° - 23.91° Vert: 61.9° - 17.93°	Horiz: 83.9° - 23.91° Vert: 61.9° - 17.93°
Iris Setting	Mechanical Iris (ME)/ Electronic Iris (AE) DIP switch selectable	Mechanical Iris (ME)/ Electronic Iris (AE) DIP switch selectable	Mechanical Iris (ME)/ Electronic Iris (AE) DIP switch selectable	Mechanical Iris (ME)/ Electronic Iris (AE) DIP switch selectable

Table 2: Camera/Lens Specifications



89 Arkay Drive
Hauppauge, NY 11788
www.vicon-cctv.com

TEL: 631-952-2288
FAX: 631-951-2288
TOLL FREE: 800-645-9116